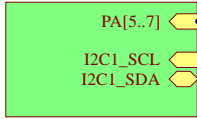
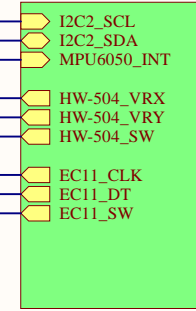


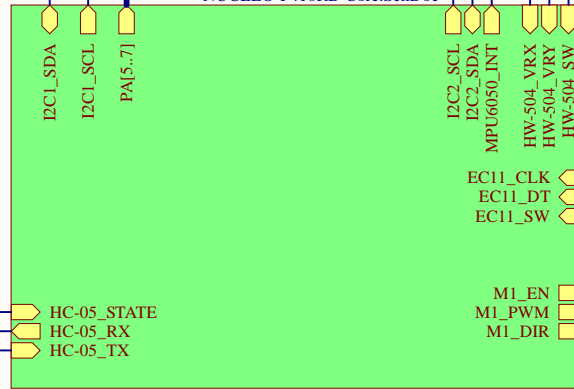
显示相关模块  
NUCLEO-F410RB-Show.SchDoc



输入相关模块  
NUCLEO-F410RB-Input.SchDoc



核心  
NUCLEO-F410RB-Core.SchDoc



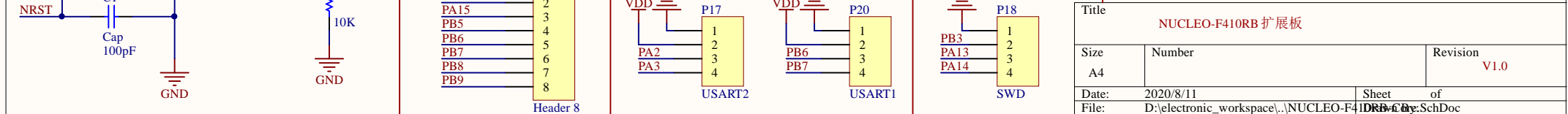
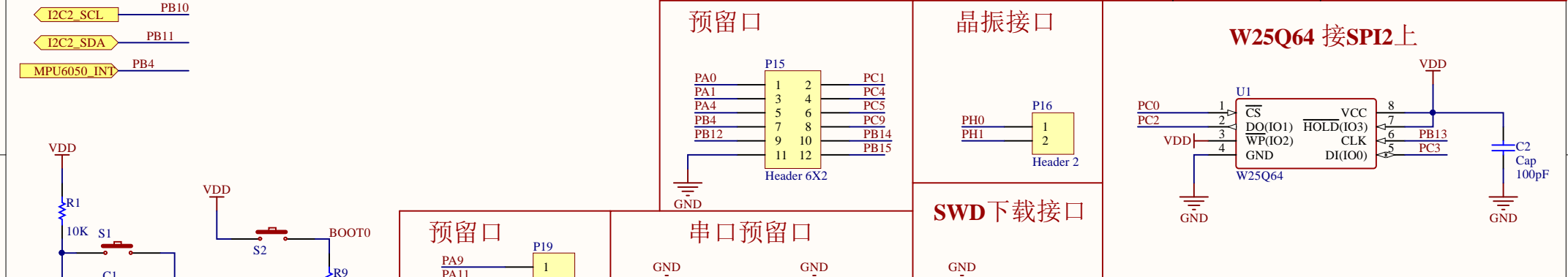
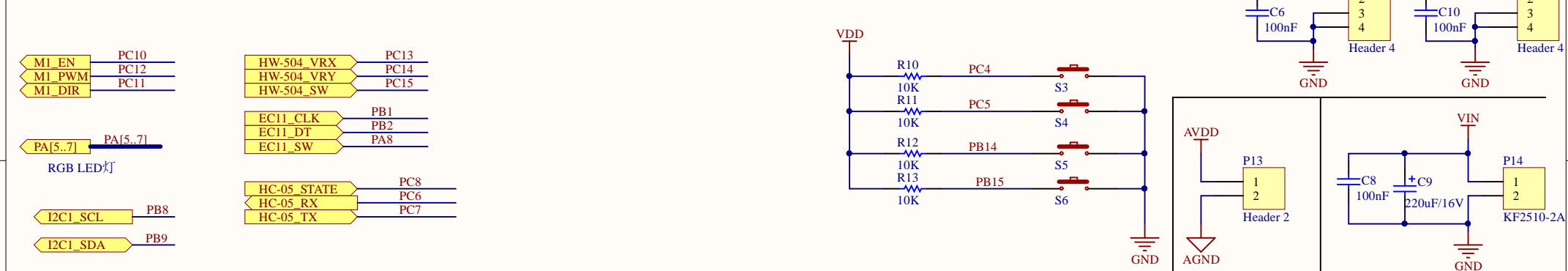
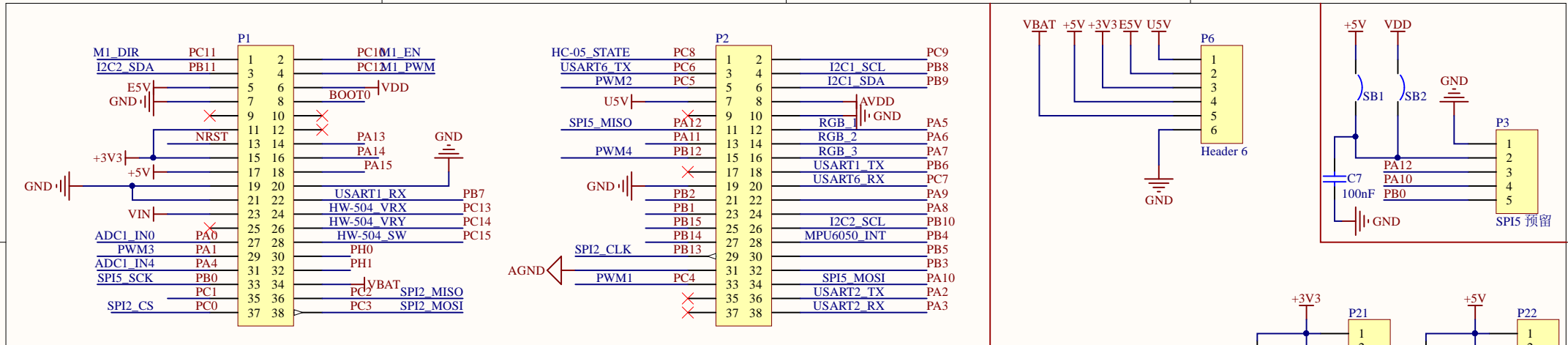
无线相关模块  
NUCLEO-F410RB-Wireless.SchDoc



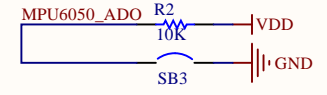
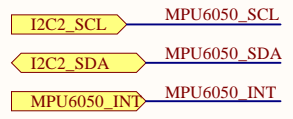
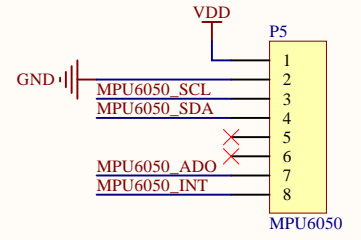
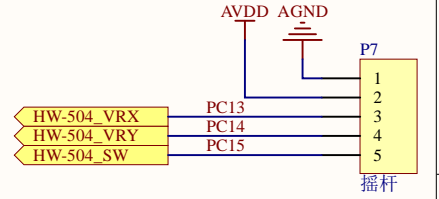
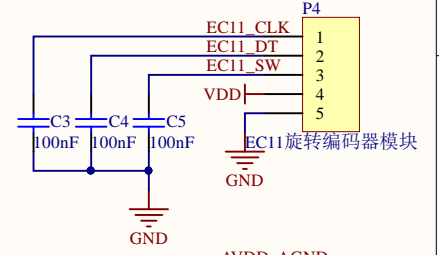
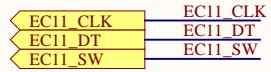
电机相关模块  
NUCLEO-F410RB-Motor.SchDoc



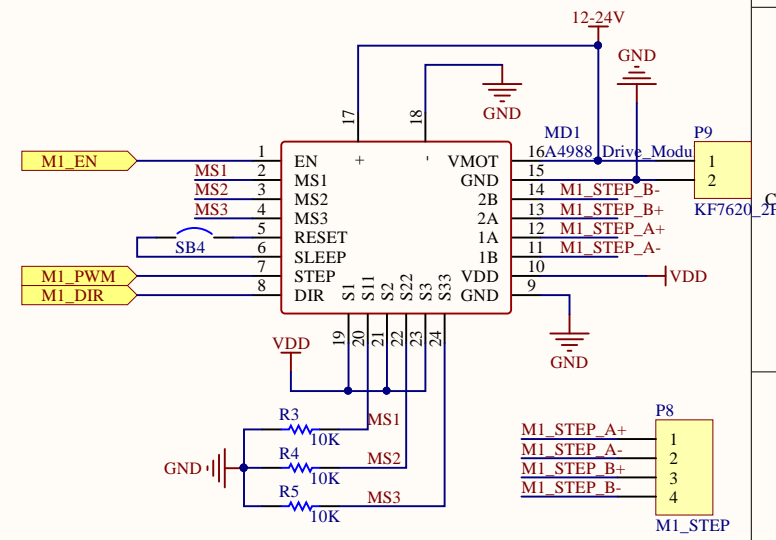
Title		
Size	Number	Revision
A4		
Date:	2020/8/11	Sheet of
File:	D:\electronic_workspace\...\Main.SchDoc Drawn By:	



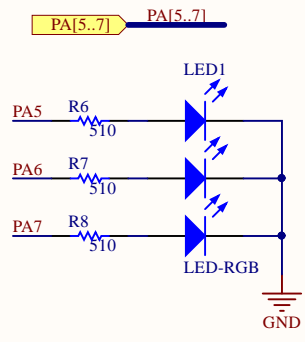
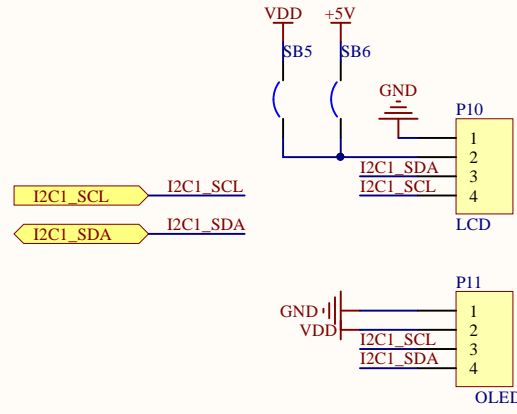
Title			NUCLEO-F410RB 扩展板		
Size	A4	Number		Revision	V1.0
Date:	2020/8/11	Sheet		of	
File:	D:\electronic_workspace\...\NUCLEO-F410RB-Cube_SchDoc				



Title		
Size	Number	Revision
A4		
Date:	2020/8/11	Sheet of
File:	D:\electronic_workspace\...\NUCLEO-F4101RB\Inp1.SchDoc	



Title		
Size	Number	Revision
A4		
Date:	2020/8/11	Sheet of
File:	D:\electronic_workspace\...\NUCLEO-F4101R\16A4988_SchDoc	



Title		
Size A4	Number	Revision
Date: 2020/8/11	Sheet of	
File: D:\electronic_workspace\...\NUCLEO-F4DR156\DR156.SchDoc		

1

2

3

4

A

A

B

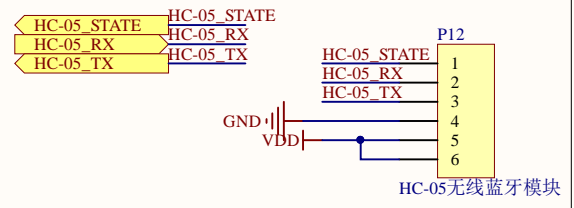
B

C

C

D

D



Title		
Size	Number	Revision
A4		
Date:	2020/8/11	Sheet of
File:	D:\electronic_workspace\...\NUCLEO-F4DR1B\Wless.SchDoc	

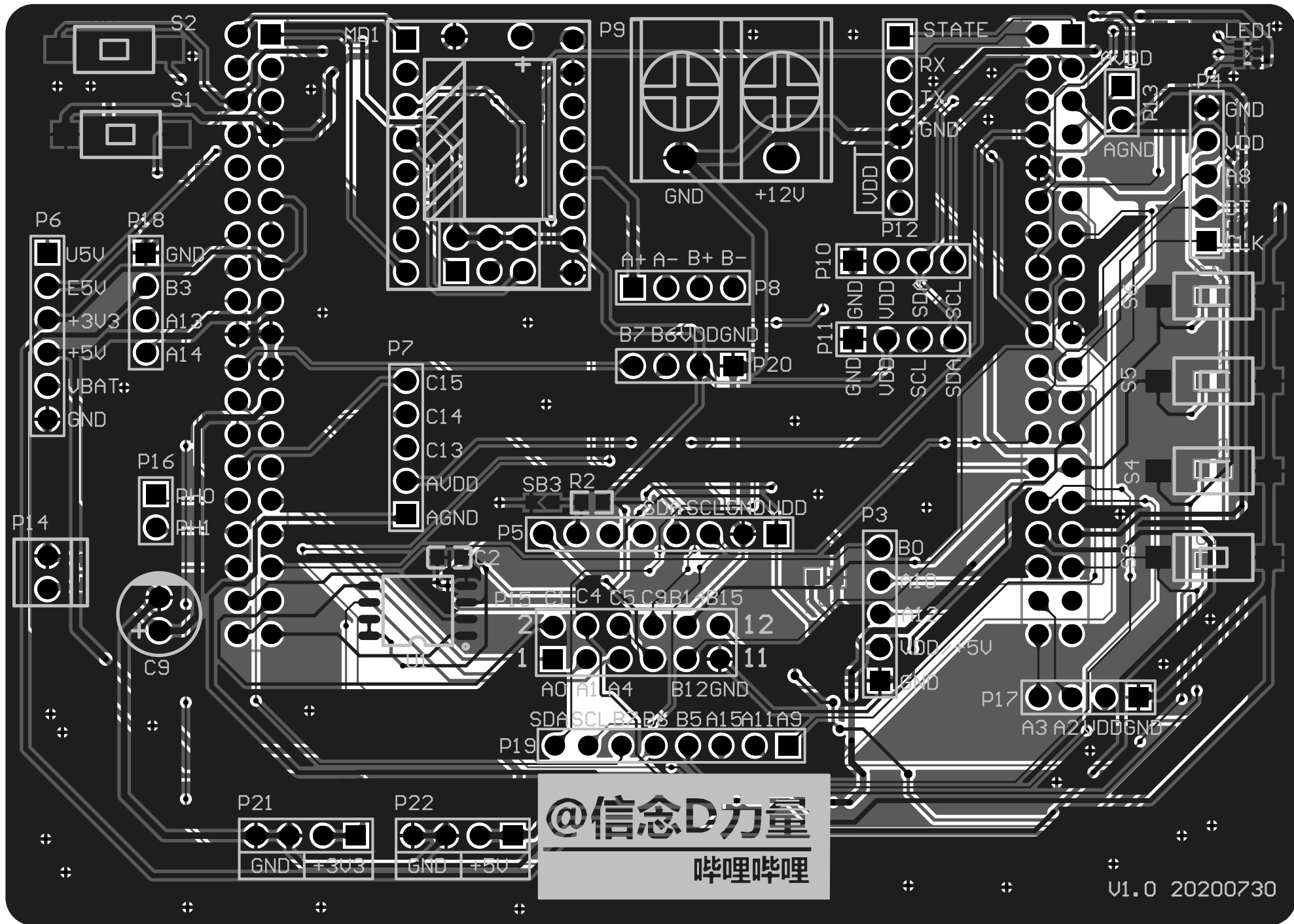
1

2

3

4

3870 (mil)



2765 (mil)

**@信念D力量**  
 哔哩哔哩

V1.0 20200730

BOARD STACK REPORT